

CTC15 Series Current Probe

The YUANXING CTC15XX series clamp probe current transformer is designed for fast and easy measure the current in industrial and power environments . The clamp-on core design permits non-contact current measurements through magnetic field induction without requiring that the primary wire be taken offline and disconnected for CT installation. This method permits a safer,easy and portable current measurement.



RECOGNIZED COMPONENT



FEATURES

- Good appearance
- Clamp-on core design, safer, easier installation
- Current or three specs voltage output signal

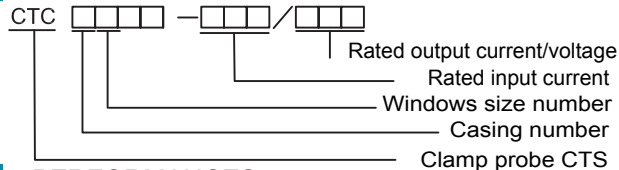
APPLICATIONS

- Current, power energy, monitoring devices
- Power Factor Correction devices
- Oscilloscope and harmonic waves analyzer

SPECIFICATIONS

- Primary current:0.1A-1000A
- Maximum Non-Destructive Current: 2000A
- Output signal: mA/A or mV/A or 4-20mAdc
- Useable frequency: 10Hz – 100kHz • Basic Accuracy :1%
- Operating Temperature:-15° C to 60° C
- Safety : CAT III 600V
- Maximum Cable Diameter: 2.05 inches (52 mm)
- Dimensions: 4.37 in. x 8.50 in. x 1.77 in. (111x216x45 mm)
- Output Cable: ①60 inches (1.5m) PVC-insulate reinforced coaxial cable with an insulated BNC connector(can connect directly to an oscilloscope,and can be used with Multimeters with optional PM 9081/001 BNC/Banana adapter, the output signal is voltage).
- ②60 inches (1.5m) PVC-insulate reinforced coaxial cable with Φ 4mm red/black banana plugs (can be used with multimeters. the output signal is current or voltage)
- Warranty 1year • RoHS compliant • ETL-approved,No.4002689

PART NUMBER

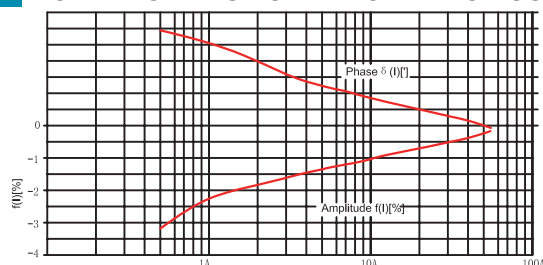


PERFORMANCES

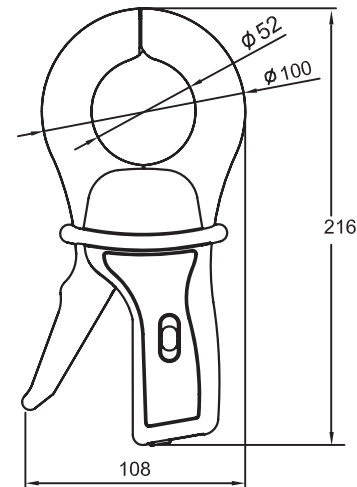
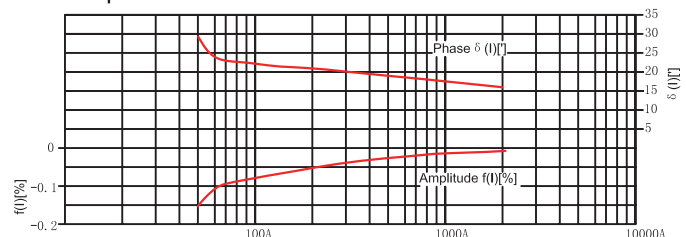
Model	Input (A)	Output signal	Frequency (Hz)	Secondary Burden (Ohms)	Accuracy class	Order No.
CTC1535	0.5-1000	1mA/A	40-1K	≤ 10	1.0%	10
CTC1535	400-1000	5A,1A	50/60	$\leq 2VA$	1.0%	11
CTC1535	0.1-10	100mV/A	10-1000K	$\geq 100K$	3% \pm 10mV	15
	0.1-100	10mV/A			2% \pm 5mV	
	1-1000	1mV/A			1% \pm 1mV	
CTC1535	0.5-1000	1mV/A	40-1000K	$\geq 100K$	1.0%	16
CTC1537	0.5-1000	4-20mA	50/60	≤ 250	1.0%	20

Accuracies are given for 48 Hz to 65Hz;the ambient temperature of 25° C \pm 3° C.

CHARACTERISTIC PERFORMANCE CURVE



Ratio: 1000:1 ; Frequency: 50 Hz ; Burden 1 Ohms ; temperature 25° C.



Clamp on CT's

Current Probe

SHANDONG YUANXING Electronics Co.,Ltd.

Phone: +86-533-381-8450
Fax: +86-533-381-8724

NO.39, QIXIN AVENUE, ZHANGDIAN,
ZIBO, SHANDONG, CHINA 255095

www.yuanxing.net
sales@yuanxing.net